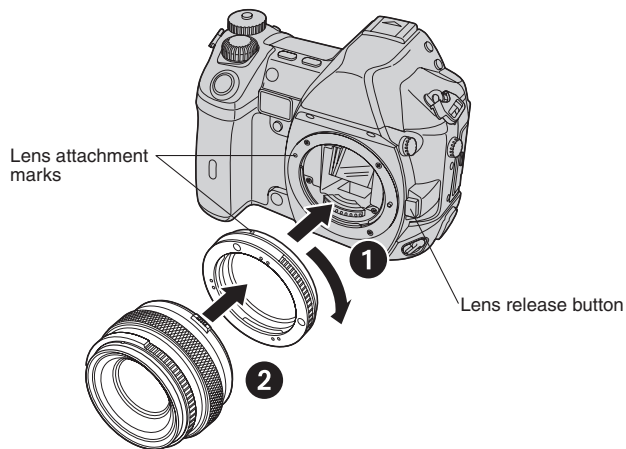


OLYMPUS®

OM FOUR THIRDS ADAPTER

EN INSTRUCTIONS

Installation



- ① Fit the Four Thirds Adapter into the camera's lens mount by aligning the lens attachment marks and turn it in the direction of the arrow until it locks into position.
 - To remove the Four Thirds Adapter, turn the lens in the opposite direction while pressing down the lens release button.
- ② Attach an Olympus OM system lens.

Notes

- Autofocus (AF) is not available.
- Stop-down metering is used. Spot metering mode does not work properly.
- Although it is possible to use the A (aperture-priority AE) mode in auto exposure, the aperture display is not available.
- The aperture display is not available in M (Manual) exposure.
- In the P (Program AE) or S (Shutter speed-priority AE) mode, the shutter releases, but the auto exposure control does not work.
- The distance scale on the OM system lens may not indicate the actual distance. Always use the viewfinder for focusing.
- For recommended lenses, focal lengths and aperture (F-number) ranges, see the OM system compatibility on the right. For inquiries, contact your nearest Olympus dealer.

Main Specifications

Dimensions : $\varnothing 62 \times 7.5\text{mm}$ ($\varnothing 2.4 \times 0.3 \text{ in}$)
Weight : 50g (1.8 oz)

OM System Lens Compatibility

	Compatible Lens	Recommended Focal Length and F Stop Range
Wide-angle	Zuiko Fish Eye 8 mm F2.8	F4-F8
	Zuiko Fish Eye 16 mm F3.5	F4-F8
	Zuiko 18 mm F3.5	F5.6-F8
	Zuiko 21 mm F2	F2.8-F8
	Zuiko 21 mm F3.5	F4-F8
	Zuiko 24 mm F2	F2.8-F8
	Zuiko 24 mm F2.8	F4-F8
	Zuiko 28 mm F2	F4-F8
	Zuiko 28 mm F2.8	F5.6-F8
	Zuiko 28 mm F3.5	F5.6-F8
	Zuiko 35 mm F2	F4-F8
	Zuiko 35 mm F2.8	F4-F8
	Zuiko Shift 24 mm F3.5	F5.6-F8
	Zuiko Shift 35 mm F2.8	F4-F8
Standard	Zuiko 40 mm F2	F4-F8
	Zuiko 50 mm F1.2	F4-F8
	Zuiko 50 mm F1.4	F2.8-F8
	Zuiko 50 mm F1.8	F2.8-F8
Tele	Zuiko 55 mm F1.2	F2.8-F8
	Zuiko 85 mm F2	F5.6-F8
	Zuiko 100 mm F2	F2.8-F8
	Zuiko 100 mm F2.8	F5.6-F8
	Zuiko 135 mm F2.8	F5.6-F8
	Zuiko 135 mm F3.5	F5.6-F8
	Zuiko 180 mm F2	F2-F11
	Zuiko 180 mm F2.8	F4-F8
	Zuiko 200 mm F4	F8-F11
	Zuiko 200 mm F5	F5-F5.6
	Zuiko 250 mm F2	F2-F11
	Zuiko 350 mm F2.8	F2.8-F11
	Zuiko Reflex 500 mm F8	F8
Macro	Zuiko Macro 50 mm F2	F2.8-F8
	Zuiko Macro 50 mm F3.5	F3.5-F8
	Zuiko Macro 80 mm F4	F5.6-F11
	Zuiko Macro 90 mm F2	F4-F8
	Zuiko Macro 135 mm F4.5	F4.5-F11
Zoom	Zuiko Zoom 28-48 mm F4	F5.6-F8 at focal length of 28-48 mm F11 also possible at focal length around 36 mm
	Zuiko Zoom 35-70mm F3.5-4.5	F5.6 at focal length of 35-50 mm F8 also possible at focal length around 35 mm F4 also possible at focal length around 50 mm
	Zuiko Zoom 35-70 mm F3.6	F5.6-F8 at focal length of 50-70 mm
	Zuiko Zoom 35-70 mm F4	F8 at focal length of 35-50 mm F5.6 also possible at focal length around 35 mm
	Zuiko Zoom 35-70 mm F4 (AF)	F8 at focal length of 35-50 mm F5.6 also possible at focal length around 35 mm
	Zuiko Zoom 35-80 mm F2.8	F5.6-F8 at focal length of 35-80 mm F4 also possible at focal length around 35 mm
	Zuiko Zoom 35-105 mm F3.5-4.5	F8 at focal length of 60-105 mm F5.6 also possible at focal length around 60 mm
	Zuiko Zoom 50-250 mm F5	F8 at focal length around 250 mm
	Zuiko Zoom 65-200 mm F4	F8 at focal length of 115-200 mm F5.6 also possible at focal length around 115 mm
	Zuiko Zoom 75-150 mm F4	F5.6-F8 at focal length of 105-150 mm
	Zuiko Zoom 85-250 mm F5	F5.6 at focal length of 150-250 mm F8 also possible at focal length around 150 mm
	Zuiko Zoom 100-200 mm F5	F5.6-F11 at focal length of 140-200 mm F5 also possible at focal length around 200 mm

Notes

- (1) The recommended values shown above are based on Olympus standards.
- (2) It is not recommended to use an OM system lens that is not listed above.
- (3) When an OM system lens is mounted on a Four Thirds System SLR camera, the image angle will be equivalent to that of a 35mm film camera lens with double the focal length.