

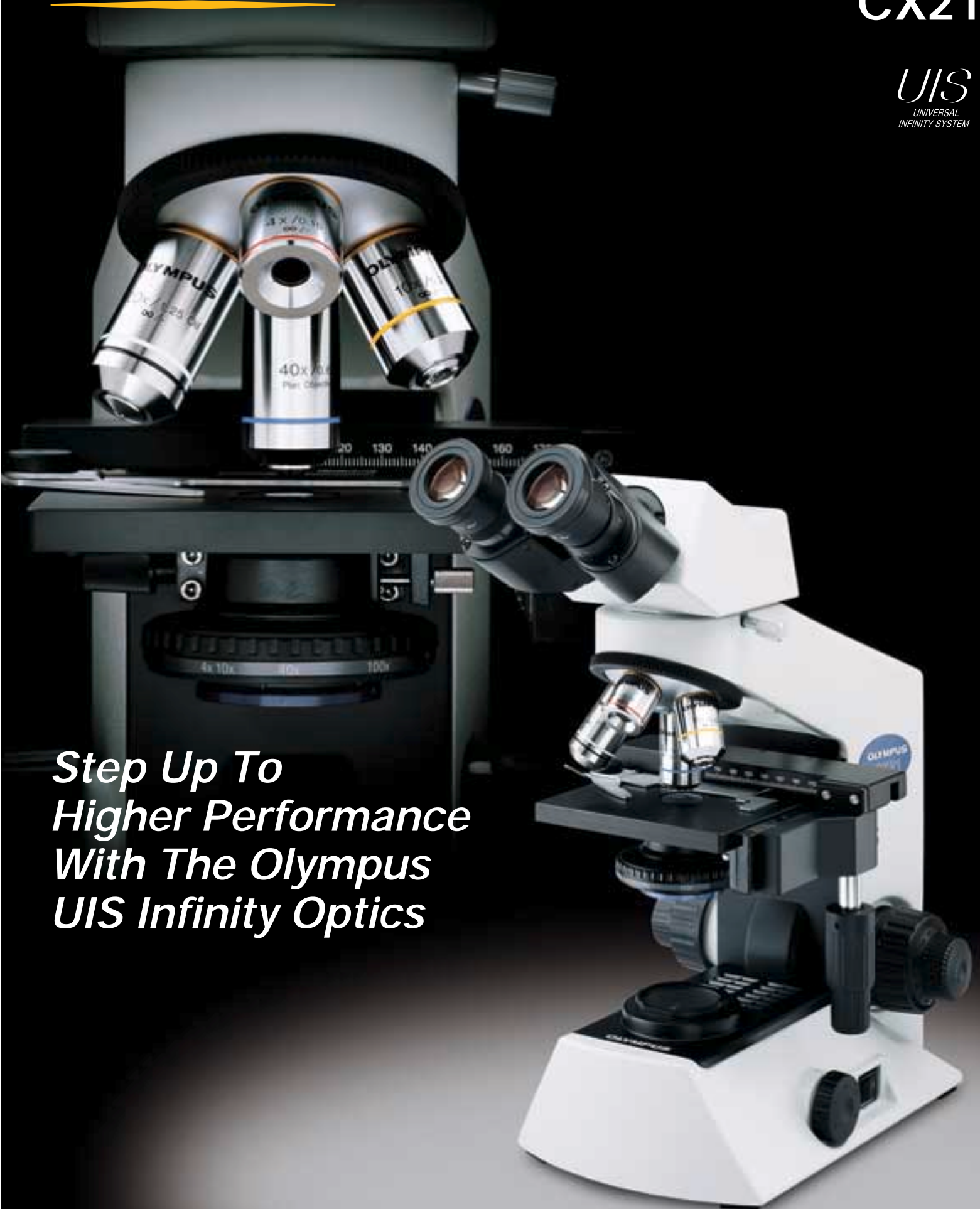
OLYMPUS[®]

BIOLOGICAL MICROSCOPE

CX21

UIS
UNIVERSAL
INFINITY SYSTEM

*Step Up To
Higher Performance
With The Olympus
UIS Infinity Optics*



Superb image clarity coupled with Olympus

Superior imaging

Plan objectives are packaged as standard, providing image flatness that is among the best in this class

The CX21 is equipped with the same UIS optical system used in Olympus' top-level microscopes. In addition, Plan Achromat objectives are included as standard for the first time in this class of microscope, providing sharp images with high contrast right up to the edge of the field of view.



Bright, uniform illumination

The CX21's 6V20W high intensity halogen lamp delivers clear, stable illumination. The built-in aspheric collector lens provides images that are bright and uniformly illuminated over the entire field of view.

Abbe condenser for optimized contrast

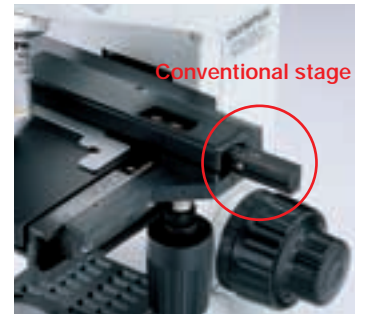
The optimal aperture stop position for each objective is clearly marked on the Abbe condenser, resulting in high-resolution, high-contrast images.



Easy, safe operation

Rackless stage for durability and ease of use

The wire-driven stage movement avoids any protrusion of racks — preventing the possibility of accidental damage or hand injury. Abrasion resistant rackless design ensures continuous smooth movement.



Component security — Student proof !

The eyepieces, objectives and condenser are all factory attached to the microscope body ensuring that no component is dropped or detached during transportation or regular use.



Ultra-smooth, quadruple revolving nosepiece

High-precision machining ensures smooth operation and durability. Nosepiece includes a rubber ring for an easy ergonomic grip.

Mechanical stage focus-lock prevents mishaps

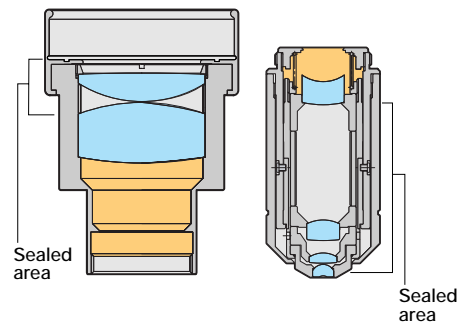
The focus position can be locked making it easy to refocus when the specimen is changed. With the upper stage position locked, there is no chance of the objective accidentally touching the slide and damaging either the specimen or the objective itself.



Use in any environment

Anti-fungus treatment for component durability

An effective anti-fungus treatment is applied to the objectives, eyepieces and observation tube for consistent image clarity and long operating life even in hot humid work conditions.



Compact design, easy to store and carry

The CX21 is only 383 mm high, compact enough to be stored in a typical classroom cabinet. A cord-rest and wooden storage box are also available as an option, for convenient storage and portability.



Mirror unit allows observation with no power source

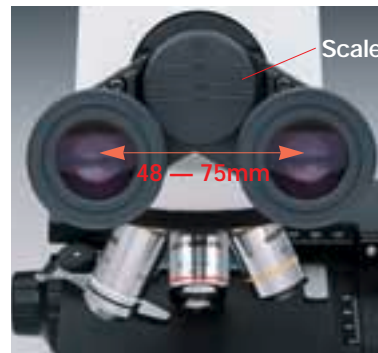
Attachment of the optional mirror unit allows observations to be made even when no power source is available. When an external light source is used, the observation head can be reversed and the slide can be viewed through a large opening in the arm.



Suitable for any user

Individual choice of adjustment

Binocular observation tube is inclined 30 degrees allowing for an ergonomic, comfortable posture during observation. Eyepieces can be easily set for multiple users with a scaled interpupillary distance adjustment and diopter setting. High eyepoint design eyepieces with F.N.18 can be used comfortably without removing eyeglasses.



Tension adjustment for smoother focusing

The coaxial coarse/fine focusing knob is operable from either the left or right side. Coarse movement tension can be adjusted in accordance with personal preference.

Ergonomic design for user convenience

The focusing knob, light control adjustment knob and stage handle are located close together, the user can work with hands on the desk and operate the CX21 with minimal movement.



Specifications

Item	Specifications
Optical system	UIS (Universal Infinity System) optical system
Illumination System	Built-in transmitted illumination system 6V20W halogen bulb 100-240V 50/60Hz universal voltage
Focusing	Stage height movement (coarse movement stroke 20mm) Fine focus graduation: 2.5µm
Revolving nosepiece	Fixed quadruple nosepiece
Stage	Wire movement mechanical fixed stage: 120X132mm Traveling range: 76mm(X)X30mm(Y) Single specimen holder
Observation tube	30° inclined binocular tube Interpupillary distance adjustment range 48-75mm
Condenser	Abbe type with aperture iris diaphragm N.A.: 1.25
Objective lens	Plan Achromatic objectives (anti-fungus) 4X N.A.: 0.10 W.D.: 22.0mm 10X N.A.: 0.25 W.D.: 10.5mm 40X N.A.: 0.65 W.D.: 0.56mm 100X N.A.: 1.25 W.D.: 0.13mm (option)
Eyepiece (10X)	Field Number (F.N.): 18 (anti-fungus)
Optional accessories	Mirror unit, 15X eyepiece (F.N. 12, anti-fungus), cord rest, wooden storage box, filar micrometer, wire pointer, filter holder, darkfield stop

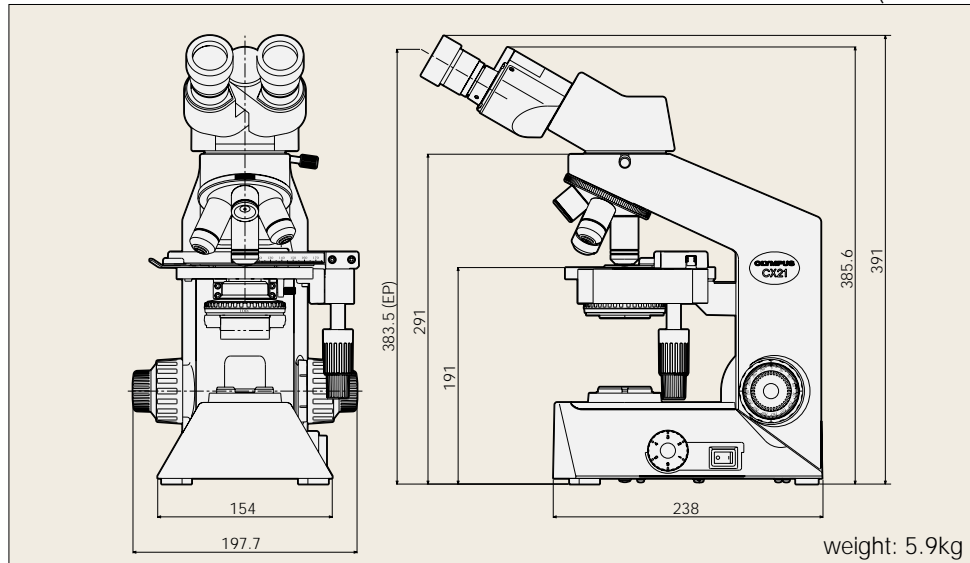
Wooden storage box

A wooden storage box is available as an optional accessory. It is convenient, sturdy and includes a handle for easy carrying. Dimensions: 264(W) X 305(D) X 474(H)mm



Dimensions

(unit: mm)



Surpassing international standards

The CX21 meets and exceeds
UL/FCC/CE standards
for safety and for electromagnetic radiation.

Specifications are subject to change without any obligation on the part of the manufacturer.

OLYMPUS

OLYMPUS OPTICAL CO., LTD.
San-Ei building, 22-2, Nishi Shinjuku 1-chome, Shinjuku-ku, Tokyo, Japan
OLYMPUS OPTICAL CO. (EUROPA) GMBH.
Postfach 10 49 08, 20034, Hamburg, Germany
OLYMPUS AMERICA INC.
2 Corporate Center Drive, Melville, NY 11747-3157, U.S.A.
OLYMPUS SINGAPORE PTE LTD.
491B River Valley Road, #12-01/04 Valley Point Office Tower, Singapore 248373
OLYMPUS OPTICAL CO. (U.K.) LTD.
2-8 Honduras Street, London EC1Y 0TX, United Kingdom.
OLYMPUS AUSTRALIA PTY. LTD.
104 Ferntree Gully Road, Oakleigh, Victoria, 3166, Australia



OLYMPUS BUSINESS AREAS



www.olympus.com