

## High Performance Surgical Flat Panel Monitor (Medical Grade)

The VividImage 18.1™ is a high quality precision unit that is patient vicinity safe surpassing the current flat panel medical display solutions available today. Its sleek, splash proof, fully enclosed design makes the VividImage 18.1 ideal for many medical applications. The VividImage 18.1 is a versatile medical display that supports six individual video inputs: Composite, S-Video (Y/C), Component (RGBS, RGB and YUV), SDI, RGBHV (Analog) and DVI. This six input design provides optimum flexibility and adaptability. The VividImage 18.1 is capable of handling most brands and types of surgical imaging equipment and designed to grow with changing technology such as SDI. Live video or VGA graphics can be displayed from any camera or physiological monitoring device. The VividImage 18.1 offers advanced LCD technology with high contrast, fast video response with no image lag and a double coated anti-reflective filter. An unprecedented viewing angle of 170 enables data to be read more readily. In addition, VTS Medical offers full video integration including an array of installation services: surgical boom, procedure rooms and customized cabling and video management systems.

# Technical Specifications

## Inputs:

Video Inputs (NTSC or PAL):

- Composite
- S-Video (Y/C)
- Component (RGBS, RGB & YUV)
- SDI

Graphic Inputs:

- RGBHV (Analog)
- DVI

Serial (RS232) Control  
(Software Optional)

## Certifications/Standards

- UL 2601-1 (UL60601-1)
- EN 60601-1-2
- CSA C22.2 NO.601.1
- ICES-001 Issue 3
- CE
- FDA Listed

## Panel Specifications:

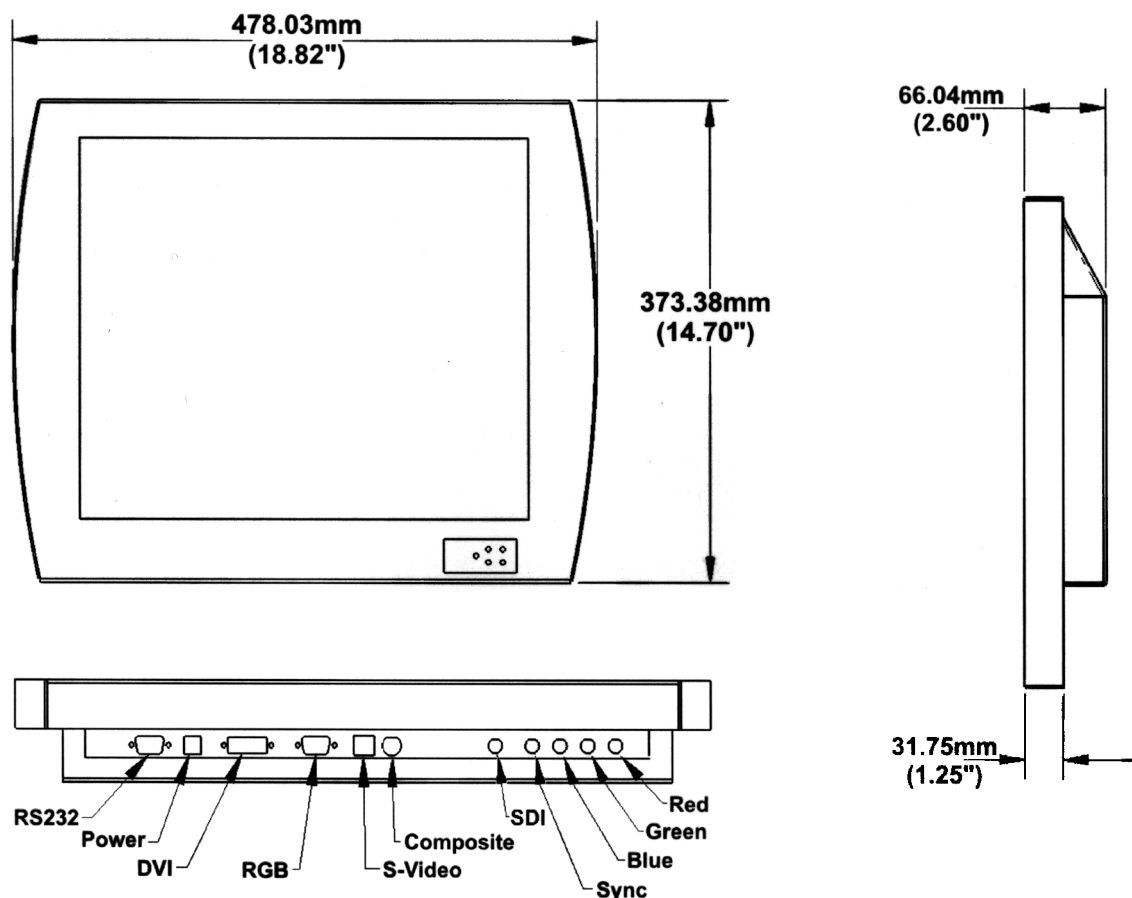
- TFT Technology: Active Matrix
- Brightness 270 cd/m<sup>2</sup>
- Contrast: 400 to 1
- Viewing Angle: (Horiz & Vert) 170
- Color Analysis: 24bit, 16.7 million
- Pixel Pitch: 0.2805 mm x 0.2805 mm
- Native Resolution: 1280 X1024
- Advanced Glass Construction: Dual IPS (Active Matrix)

## Operating Environment

- Temp: 0-40c
- Temp (storage): -20+60c
- Power: 60W
- Voltage (monitor input): 12Vdc
- Voltage (power supply input): 100-250Vac

## General Specifications

- Patient Vicinity Safe
- Splash Proof
- Advanced Video Decoder
- Double Coated Anti-Reflective Filter
- Sleek Aluminum Enclosure
- 100mm & 75mm Wall mount
- Dimensions (without stand):
  - Height: 376mm
  - Width: 478mm
  - Depth: 67mm
- Weight: 6.2 kg (without stand)
- Power Supply**
- Medical Grade Power Supply
- Extra Long 15' Power Supply Cable
- Isolation: IEC601.1 Classification BF



VTS Medical Displays North America  
Corporate Headquarters  
527 Atlantic Ave. Bldg. 5W  
Freeport, NY 11520  
Tel: (516) 223-5351  
Fax: (516) 223-5328

VTS Medical Displays West Coast  
540 Martin Ave  
Santa Clara, CA 95050  
USA  
Tel: (408) 594-2792  
Fax: (408) 986-0309

VTS Medical Displays Europe  
(T/A) Calibre UK Ltd.  
Cornwall House, Cornwall Terrace  
Bradford, West Yorkshire  
BD8 7JS  
UK  
Tel (44) 01274 394125  
Fax (44) 01274 730960

[www.vtsmedical.com](http://www.vtsmedical.com)